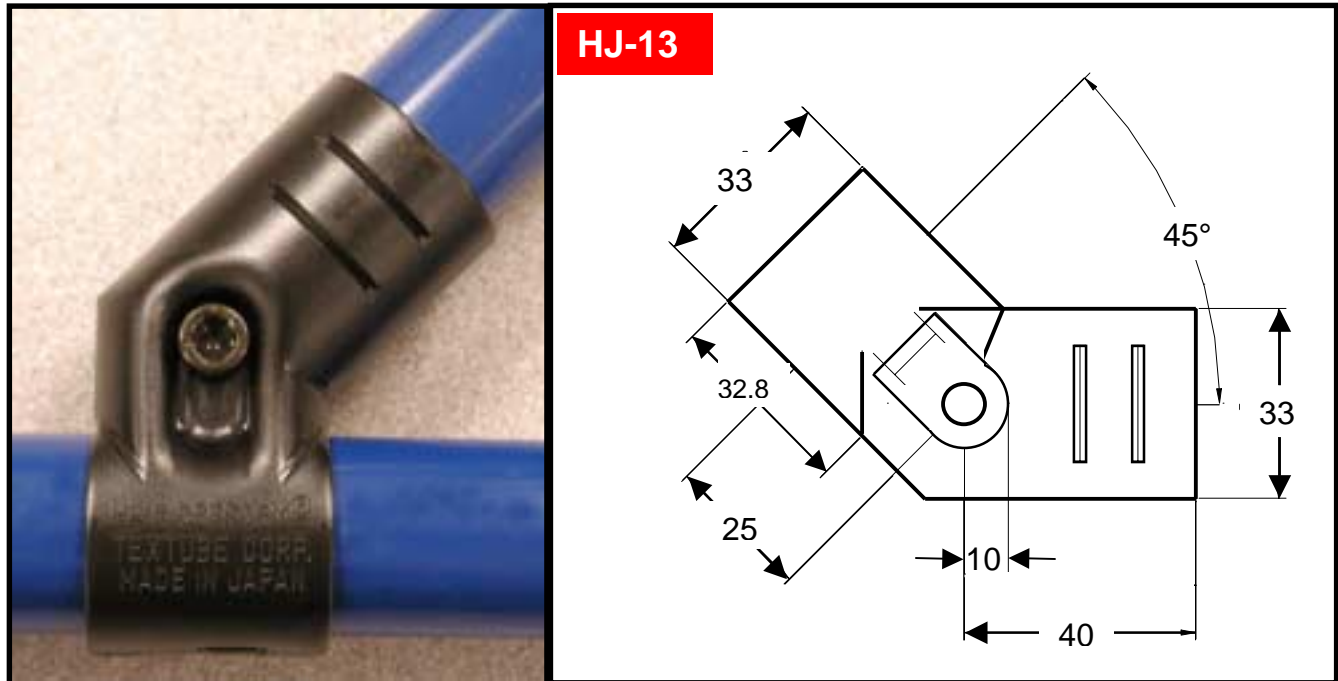


HJ-13

Fixed Angled Joint, 45°



Material:	Steel with Black Surface Finish or Steel with Nickel Plating for ESD (Part#: HJ-13NI) applications.
Components:	H-15, H-16, M6-25 & M6-B(1ea.)*
Used with:	Ø28 mm Pipe & other “HJ” Joints
Typical Applications:	Structural Bracing, 45° Cantilevered support or hanger
Note:	*HJ-13 will only be available as a set and will be packaged with (50) sets per box.

Contact Creform Sales for pricing